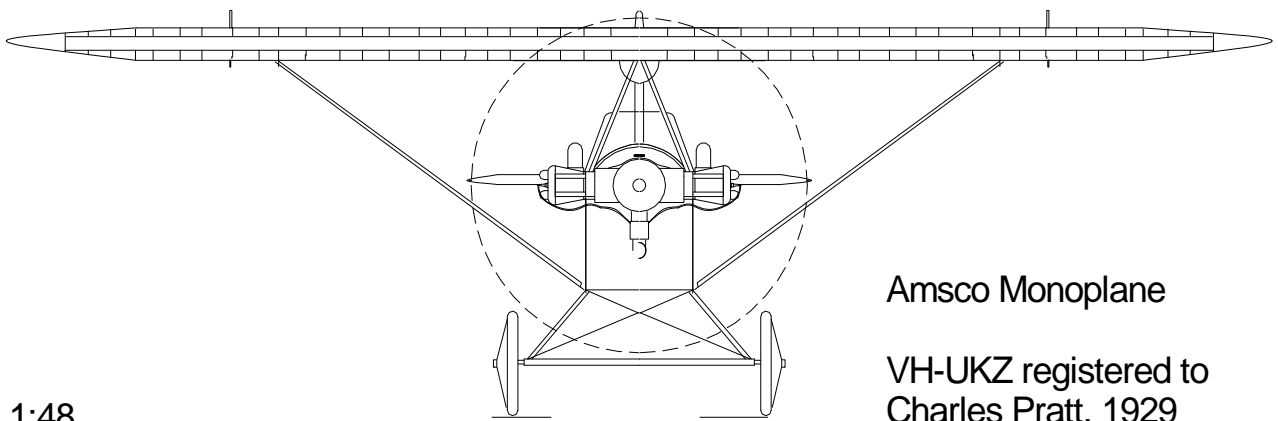
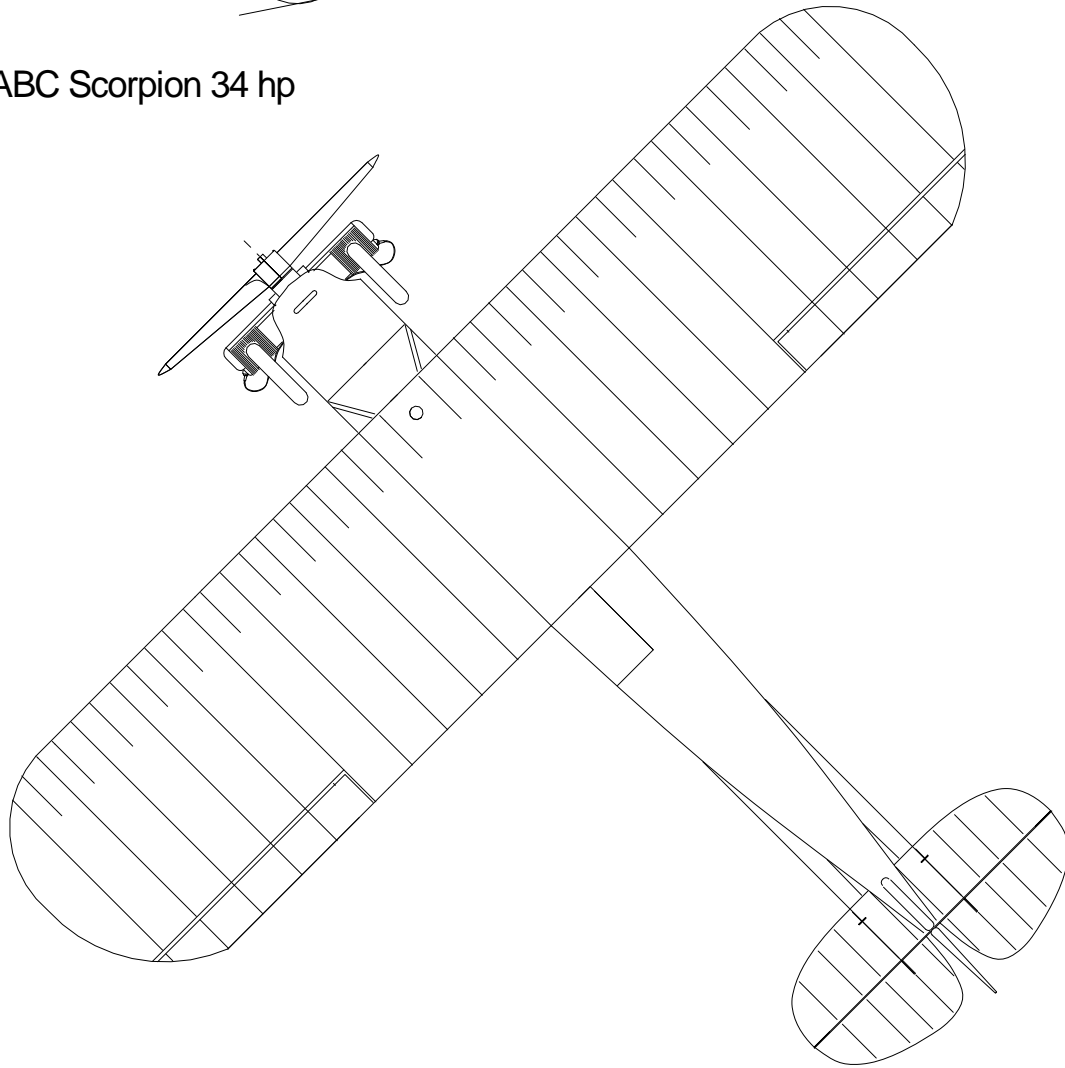


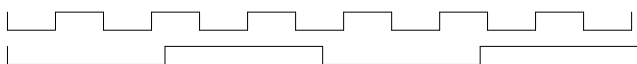
Engine: ABC Scorpion 34 hp



Amsco Monoplane

VH-UKZ registered to
Charles Pratt, 1929

Scale 1:48
Feet



Metres

Drawn by Alex Pedashenko
Redrafted by Derek Buckmaster
© D Buckmaster 2009

