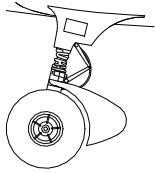
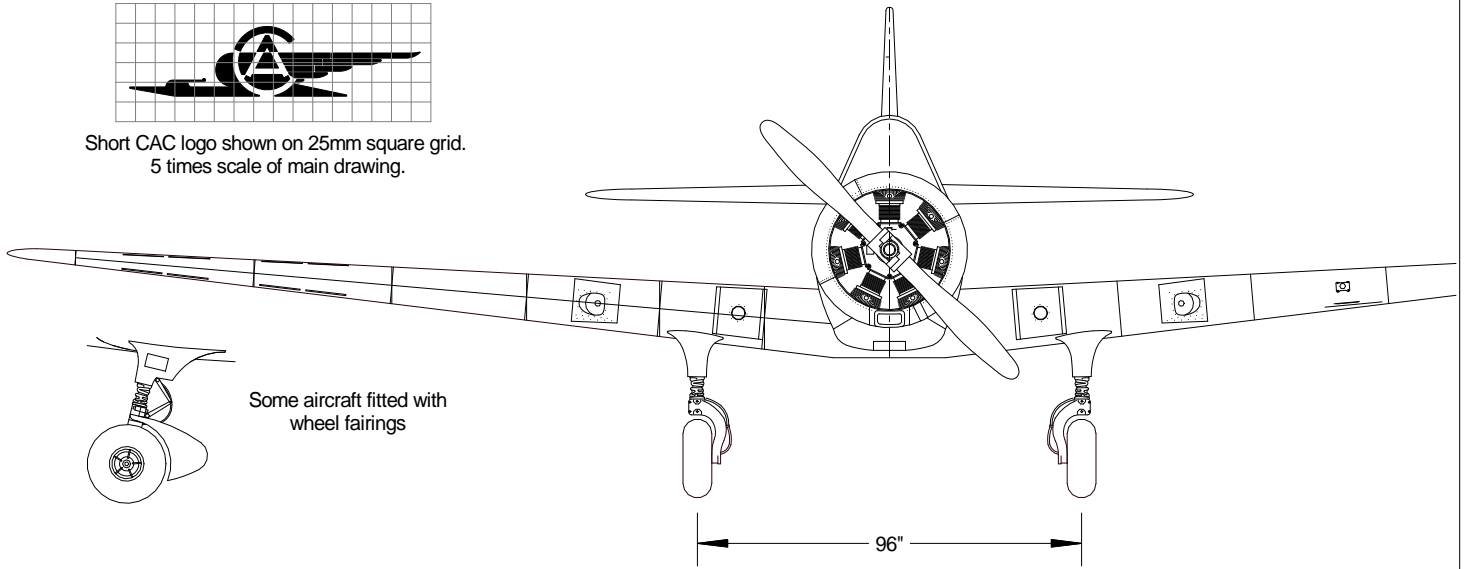
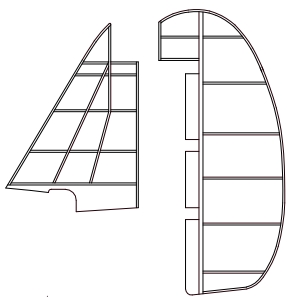


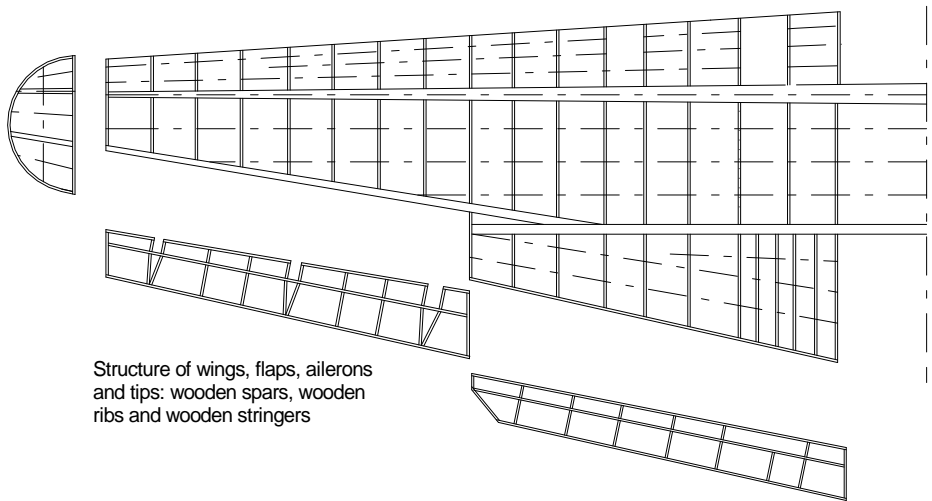
Short CAC logo shown on 25mm square grid.
5 times scale of main drawing.



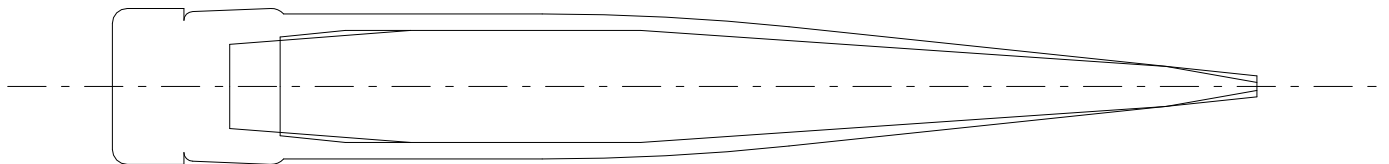
Some aircraft fitted with
wheel fairings



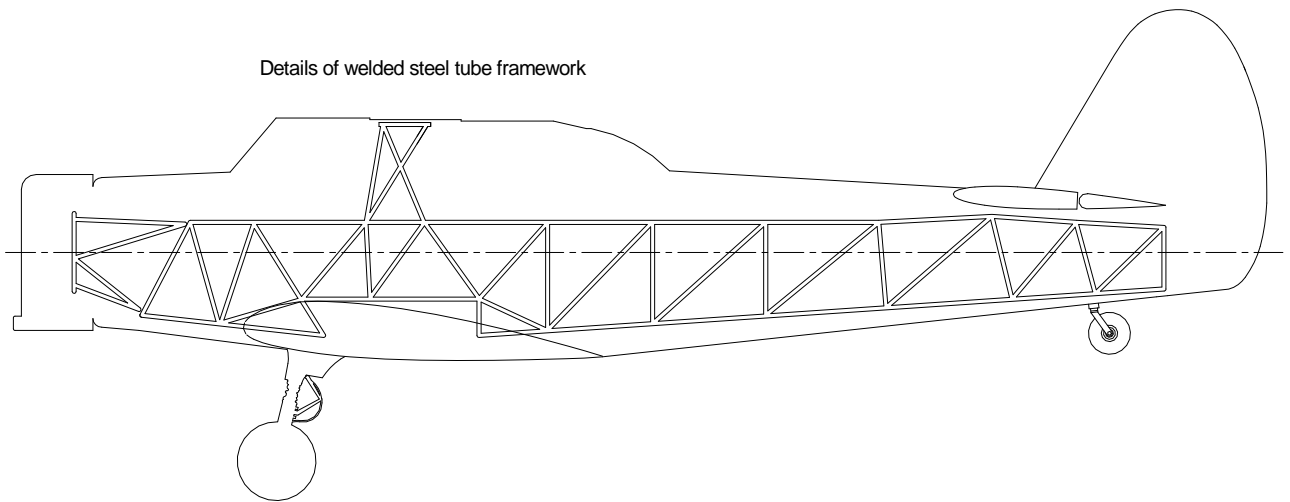
Structure of fin and
rudder. Wooden spars, ribs,
stringers and plywood skins



Structure of wings, flaps, ailerons
and tips: wooden spars, wooden
ribs and wooden stringers



Details of welded steel tube framework



Commonwealth Aircraft Corporation Wackett
1939-42



Drawn by Derek Buckmaster © 2003
for the DB Design Bureau website

Plate 4 of 4

