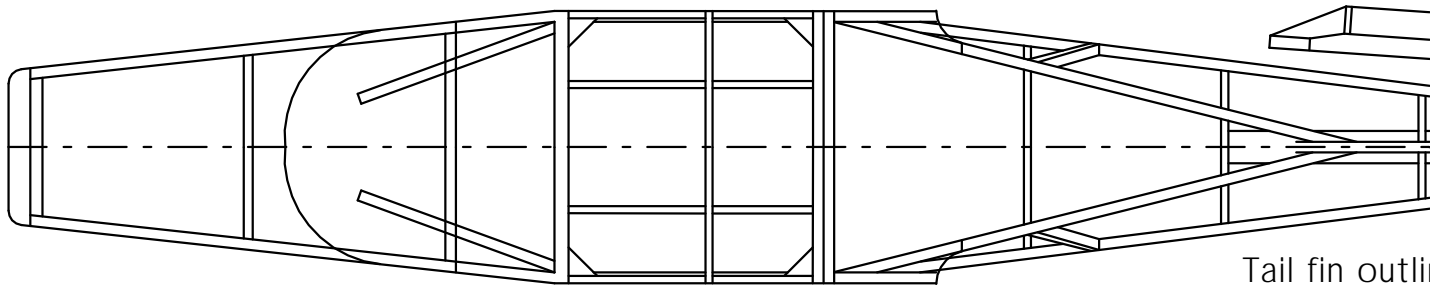
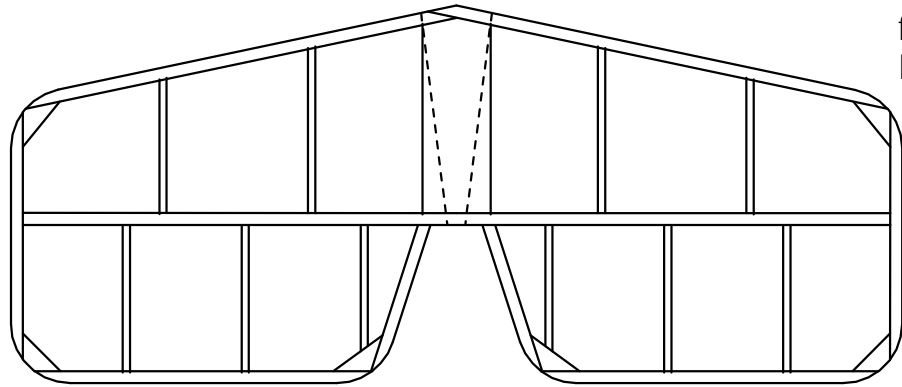
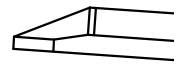
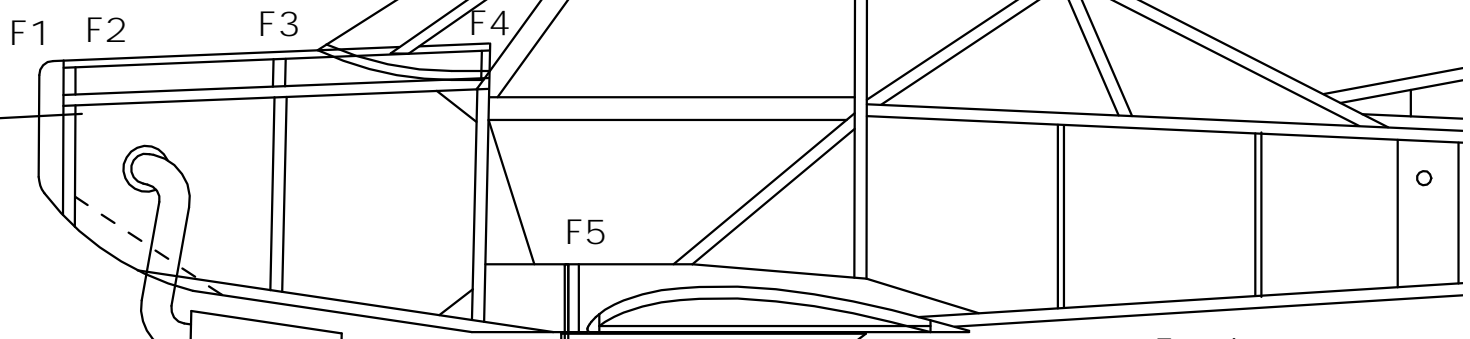


Tailplane outline and spar from 1.6mm square.  
Ribs from 1.6 x 0.8mm.



Tail fin outline from 1.6mm  
Ribs from 1

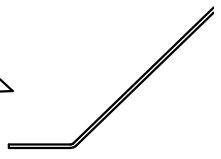
0.8mm sheeting on top of nose



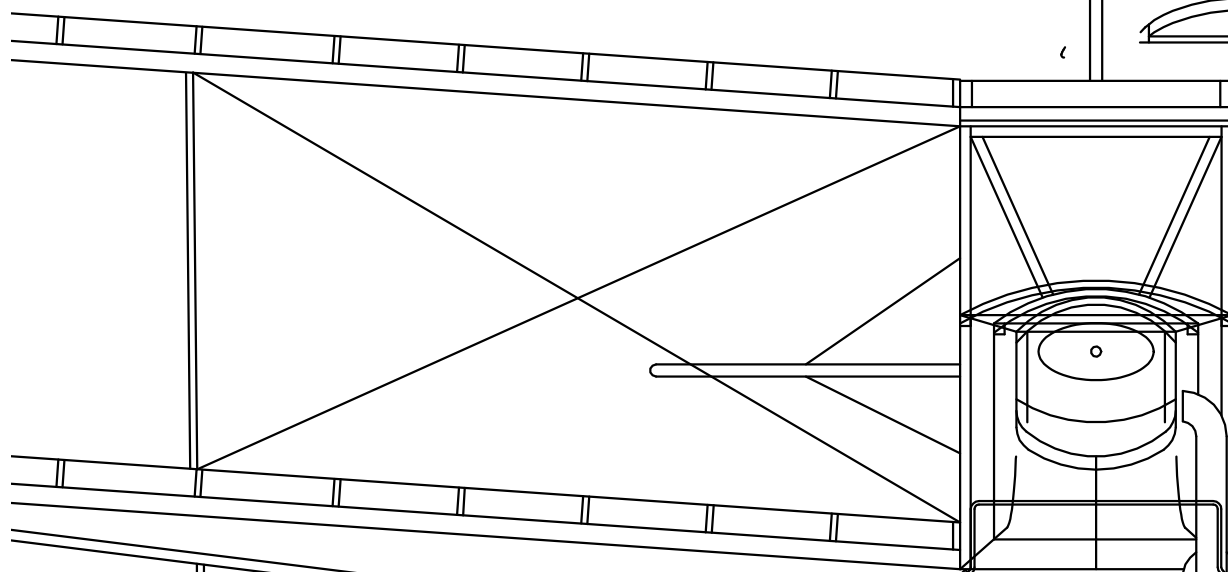
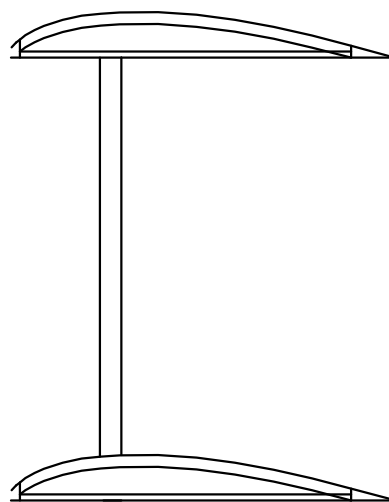
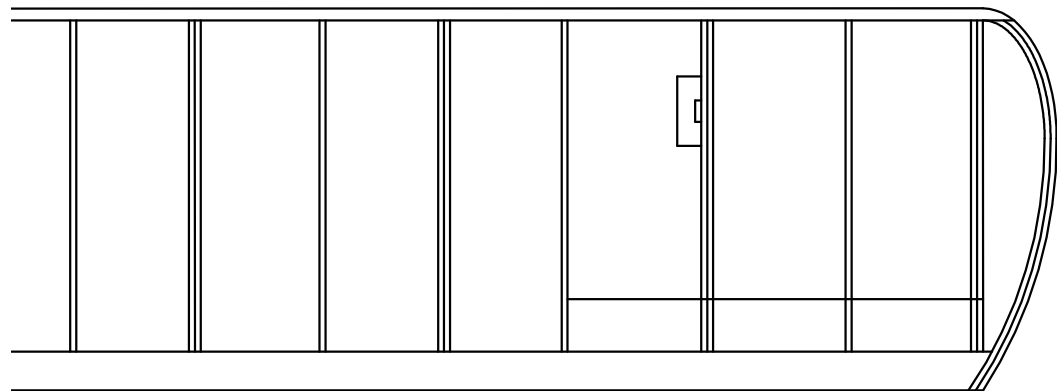
Fuselage structure from 1.6mm square

125mm (5") prop

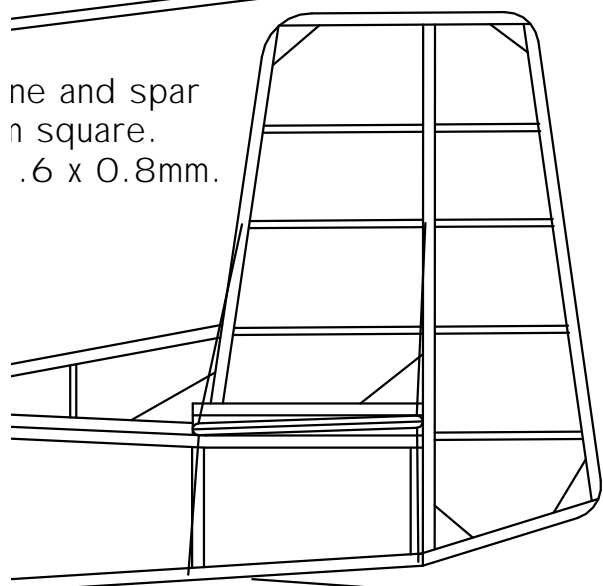
Undercarriage fairing (2 off)  
0.8mm sheet



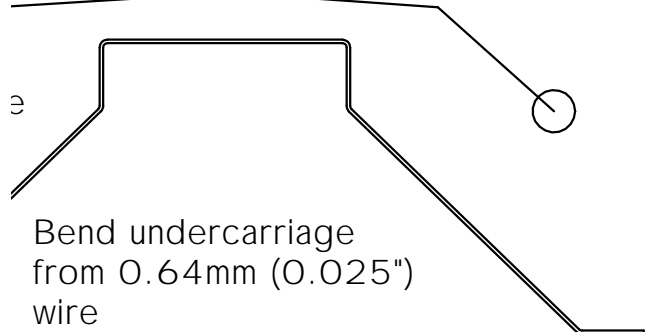
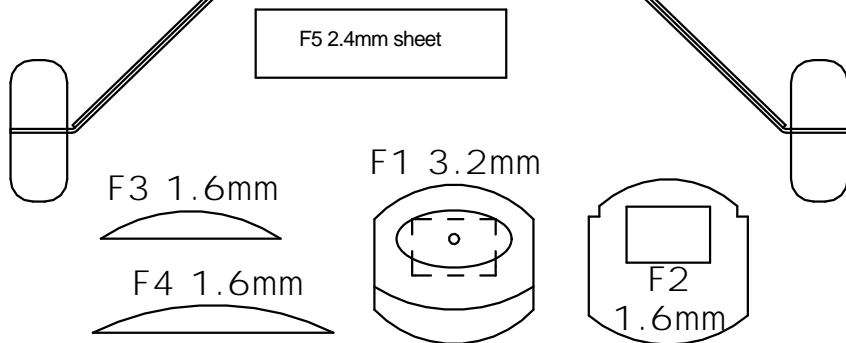
ear glazing in middle section only



Colour scheme:  
 Overall: Silver  
 Wing tips: Yellow  
 Fin & rudder outline: Yellow  
 Muffler: Black  
 Prop: Wood



Engine and spar  
 in square.  
 0.6 x 0.8mm.



Bend undercarriage  
 from 0.64mm (0.025")  
 wire



**Amethyst Falcon aerobatic ultralight**

Span: 13 in 330 mm  
 Wing area: 50.7 in 32.8 sq dm

© D Buckmaster 2001