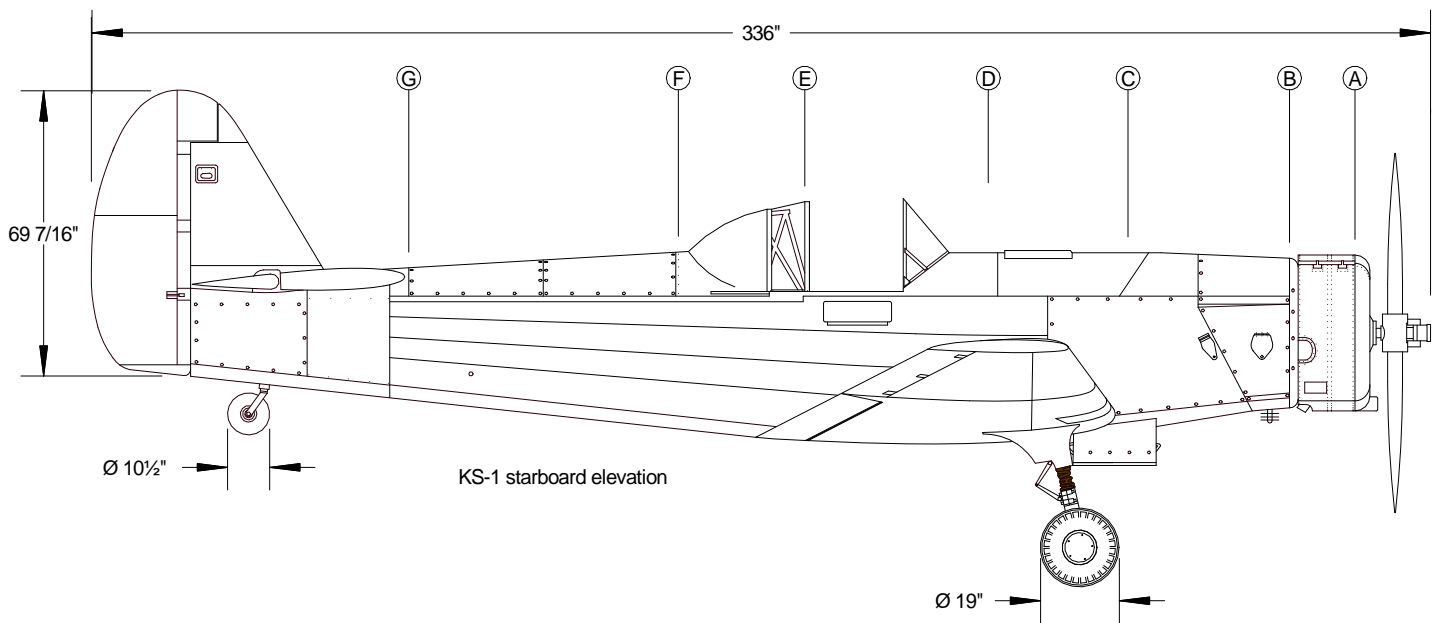
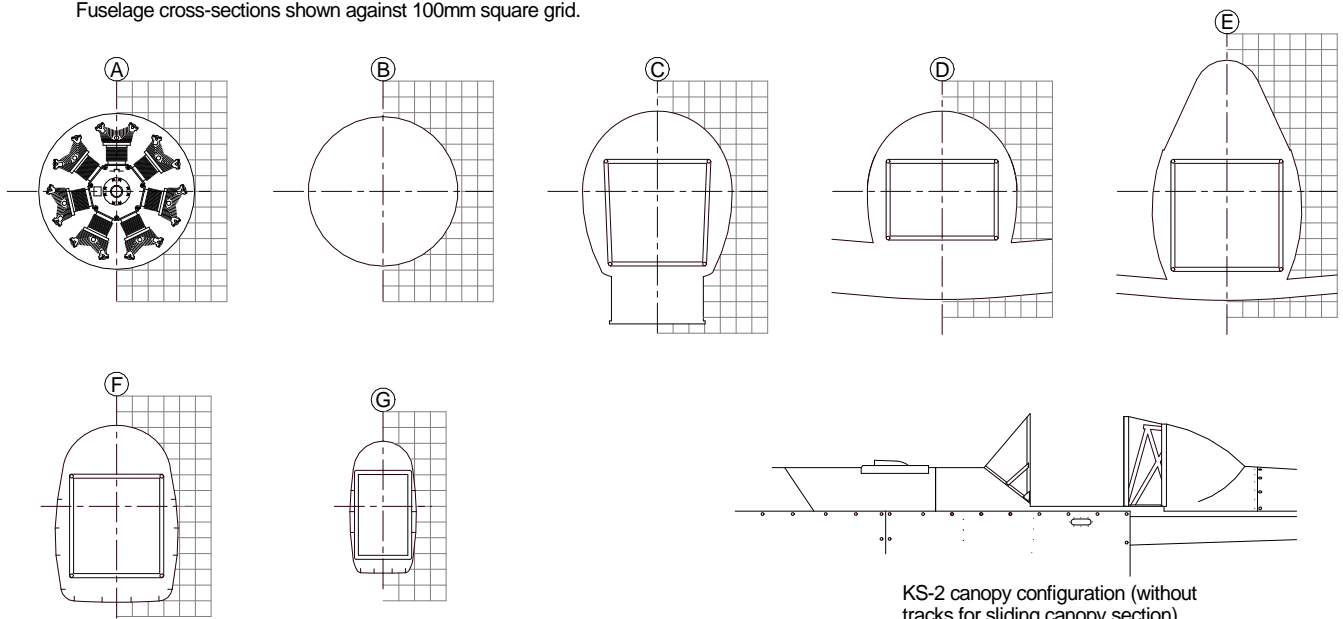


Port elevation of KS-1 in spreading configuration with gate on hopper outlet



KS-1 starboard elevation

Fuselage cross-sections shown against 100mm square grid.



KS-2 canopy configuration (without tracks for sliding canopy section)