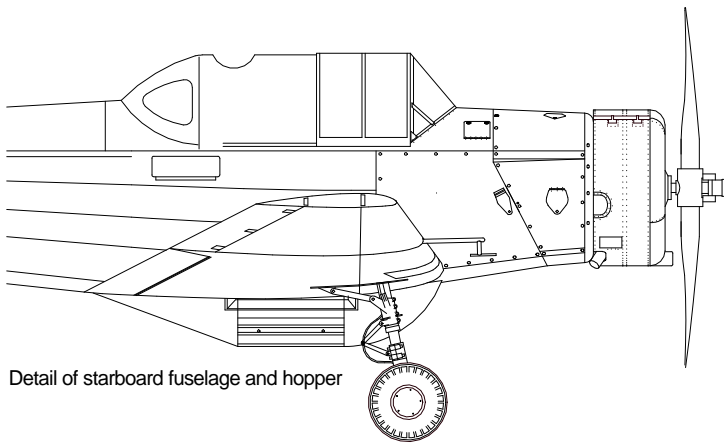
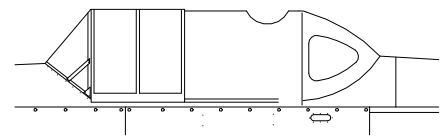


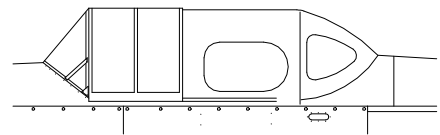
Spreading configuration with gate on hopper outlet



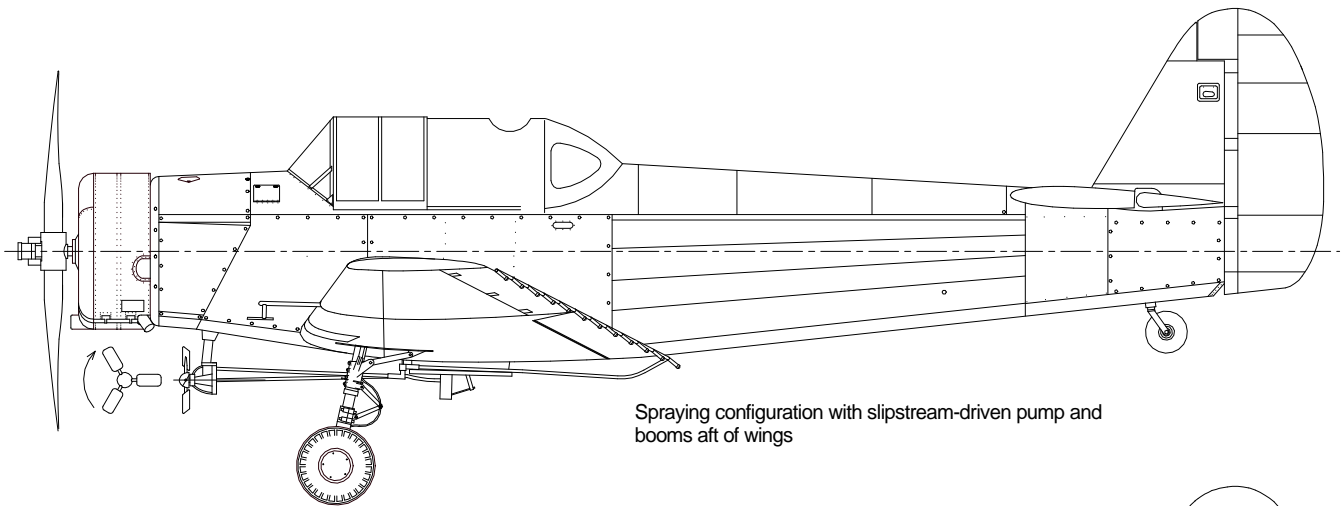
Detail of starboard fuselage and hopper



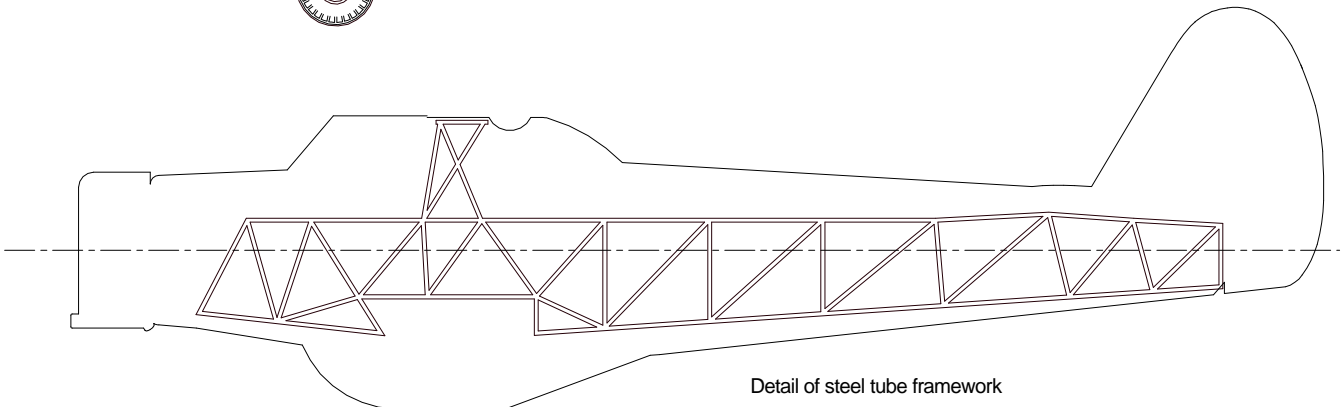
Canopy detail: VH-FBD



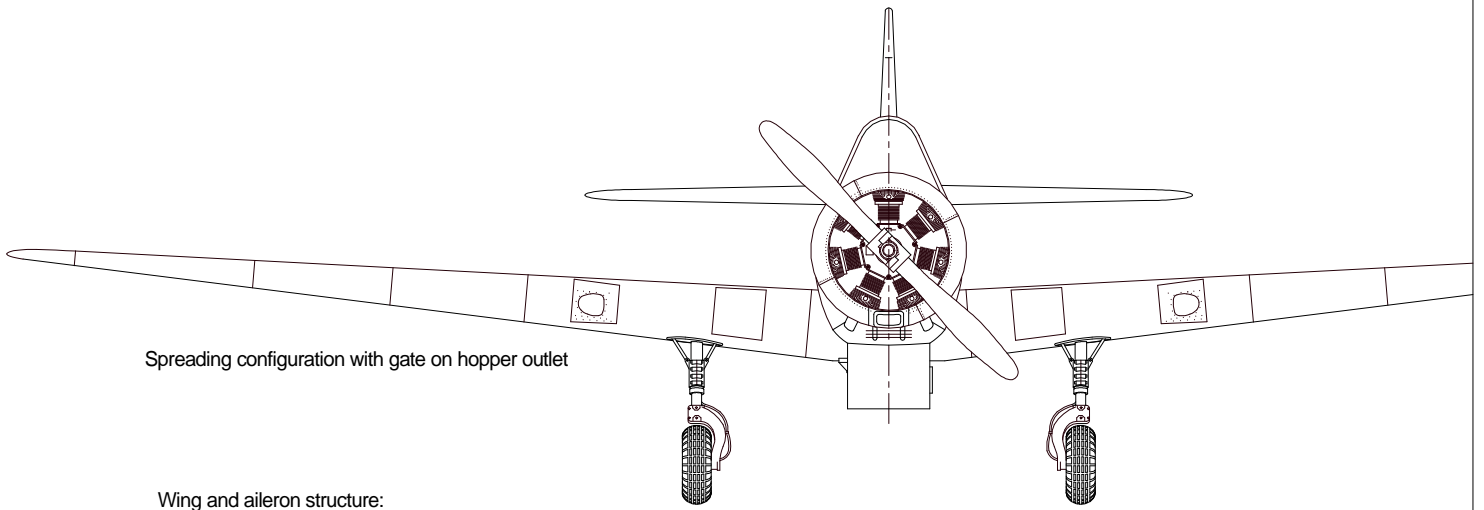
Canopy detail: VH-AJH
in Private category (1963-76)



Spraying configuration with slipstream-driven pump and
booms aft of wings

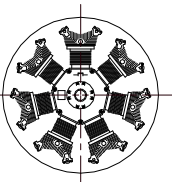
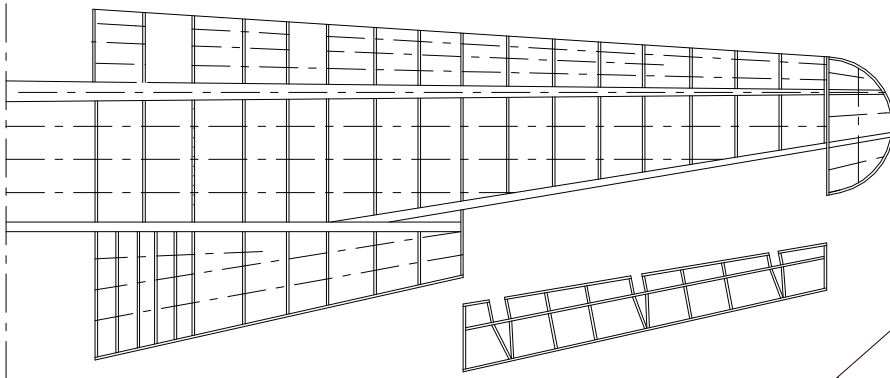


Detail of steel tube framework

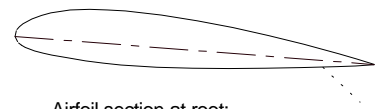


Spreading configuration with gate on hopper outlet

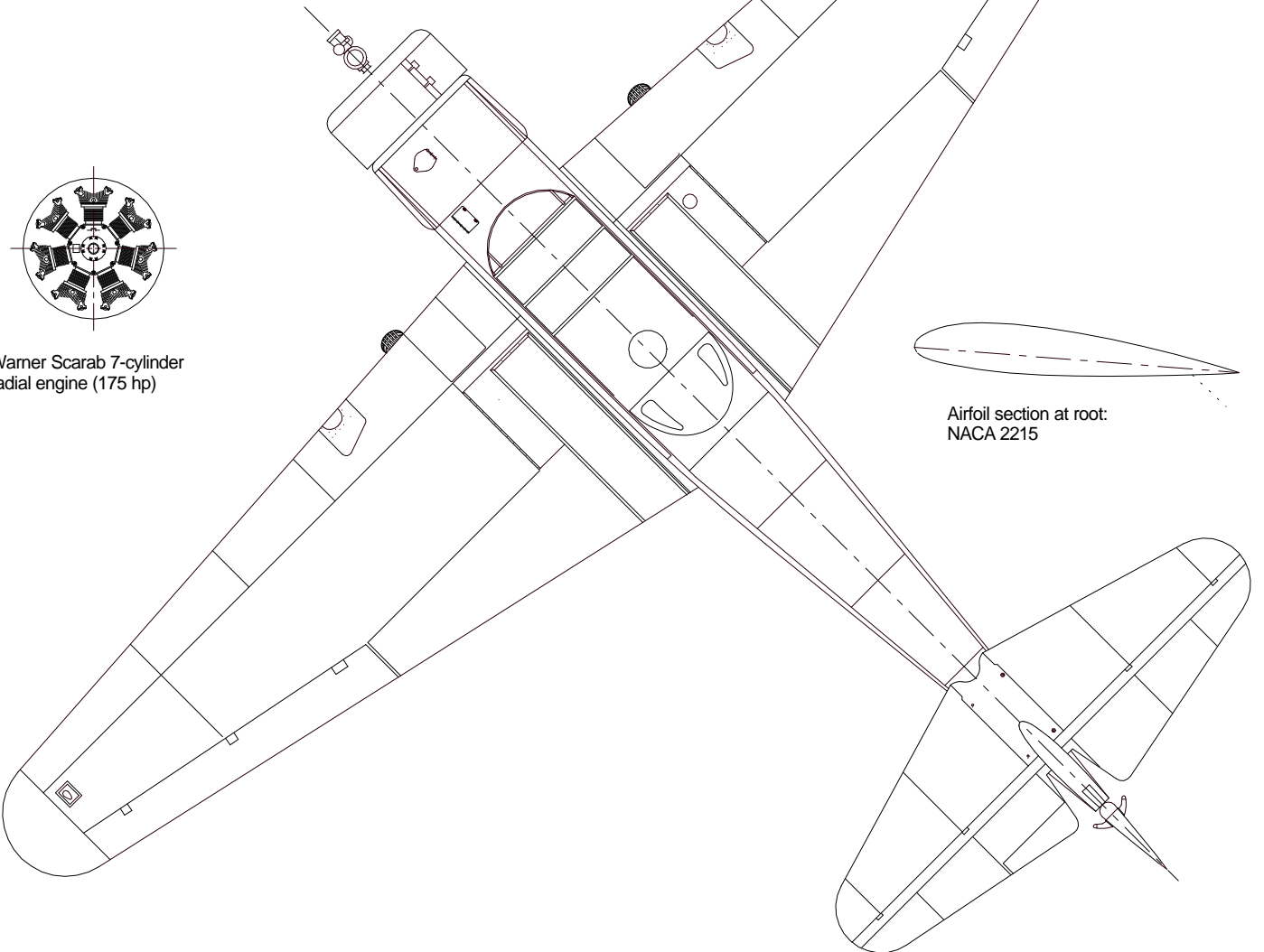
Wing and aileron structure:
Wooden spars and ribs



Warner Scarab 7-cylinder
radial engine (175 hp)



Airfoil section at root:
NACA 2215



Kingsford Smith Aviation Services KS-3 Cropmaster
1957-59

Drawn by Derek Buckmaster © 2003
for the DB Design Bureau website

Scale 1:48

Plate 2 of 2

