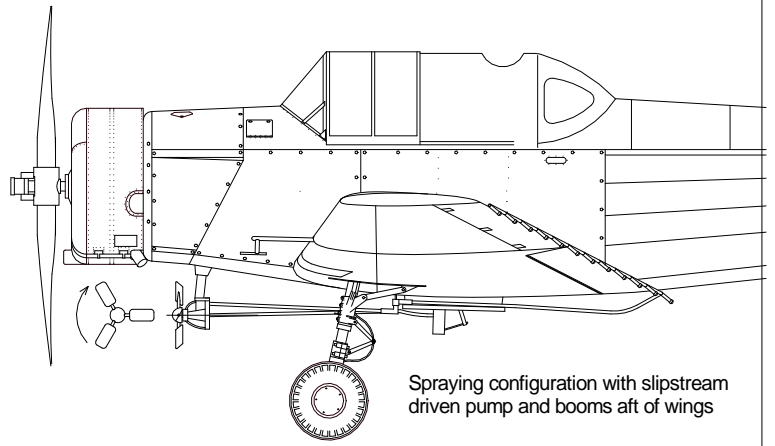


Dimensions:

Wing span	37ft
Length	26 ft 8 in
Height (tail down)	6 ft 9 in
Wheel track	8 ft
Wing area	184 sq ft
Wing dihedral	5°
Wing incidence (root)	3.5°
Wing incidence (tip)	0.5°
Wing LE sweep	3.8°
Wing chord (root)	7 ft 6 in
Wing aspect ratio	7.45
Tailplane span	12 ft
Tailplane total area	36.3 sq ft
Fin & rudder total area	15.8 sq ft



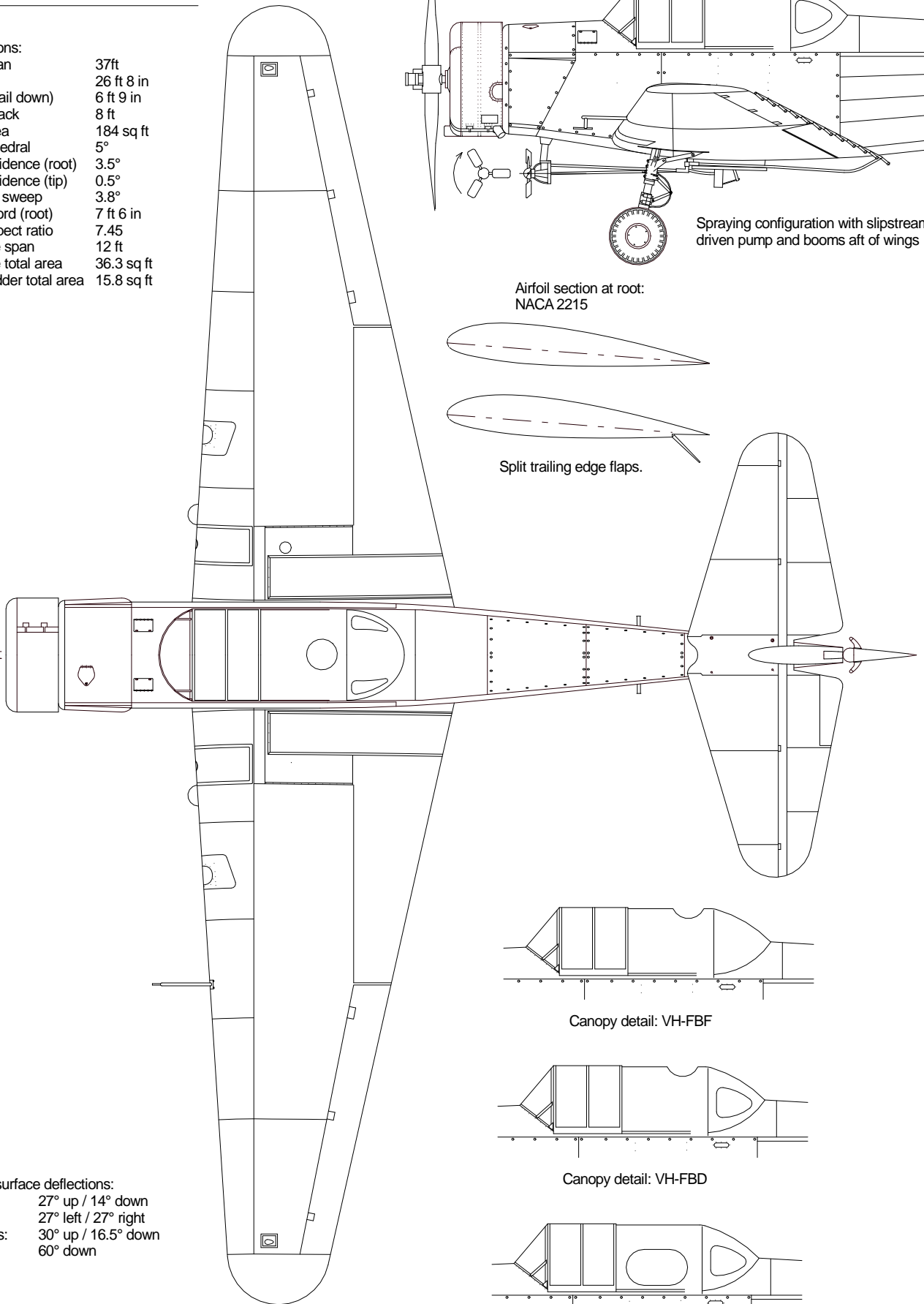
Spraying configuration with slipstream driven pump and booms aft of wings

Airfoil section at root:
NACA 2215



Split trailing edge flaps.

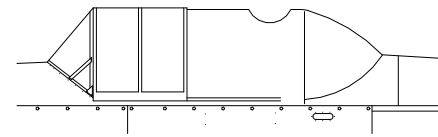
444"



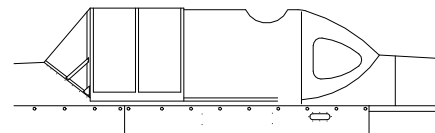
Control surface deflections:

Ailerons:	27° up / 14° down
Rudder:	27° left / 27° right
Elevators:	30° up / 16.5° down
Flaps:	60° down

Canopy detail: VH-FBF



Canopy detail: VH-FBD



Canopy detail: VH-AJH
in Private category (1963-76)

