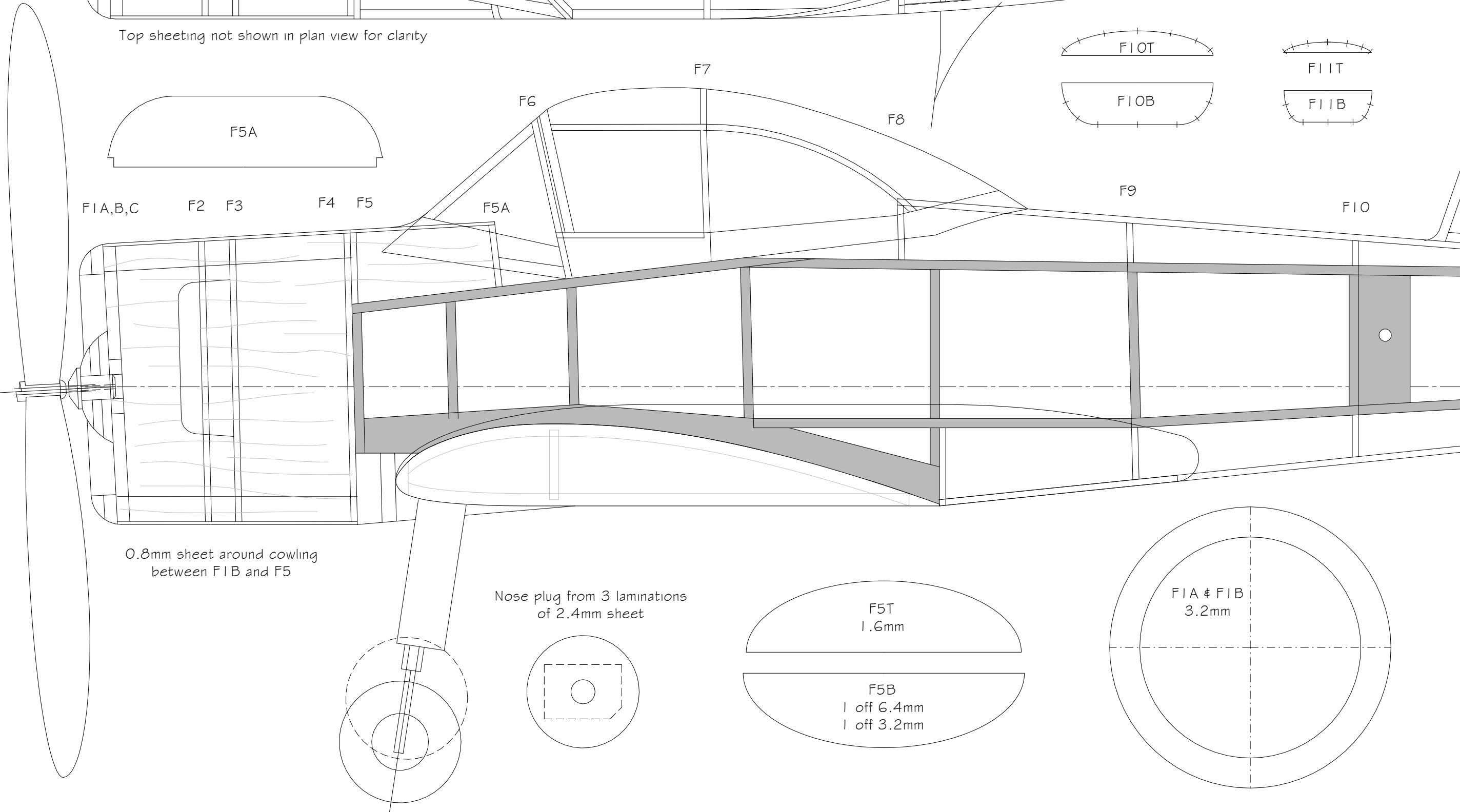
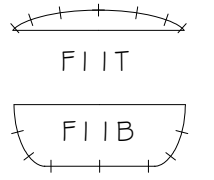
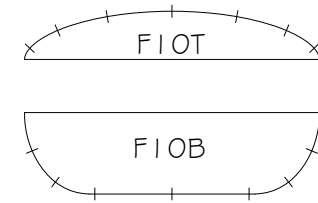
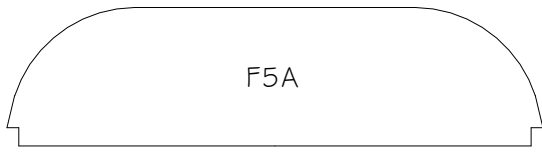


Top sheeting not shown in plan view for clarity



F1A,B,C F2 F3 F4 F5



F5A

F6

F7

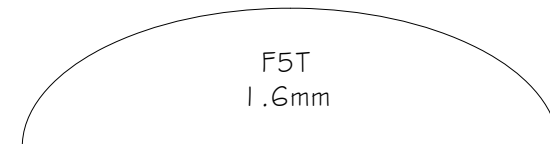
F8

F9

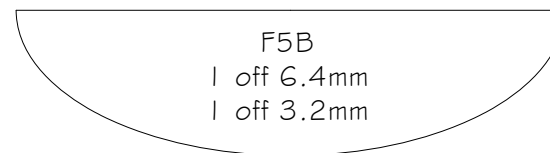
F10

0.8mm sheet around cowling
between F1B and F5

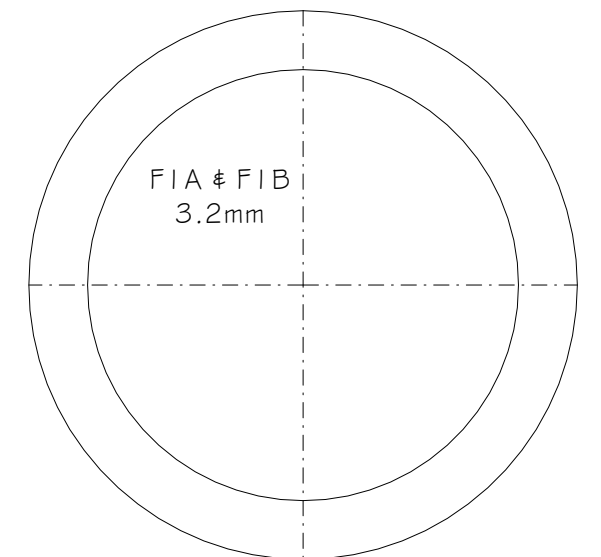
Nose plug from 3 laminations
of 2.4mm sheet



F5T
1.6mm

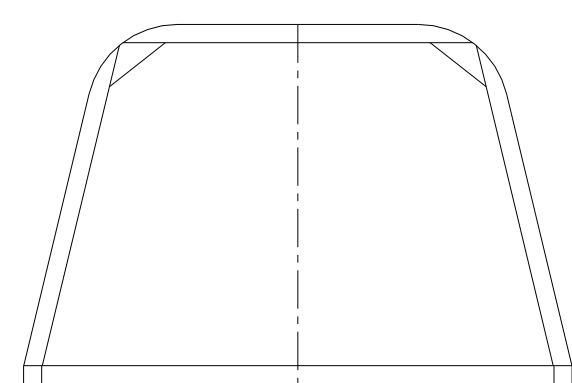
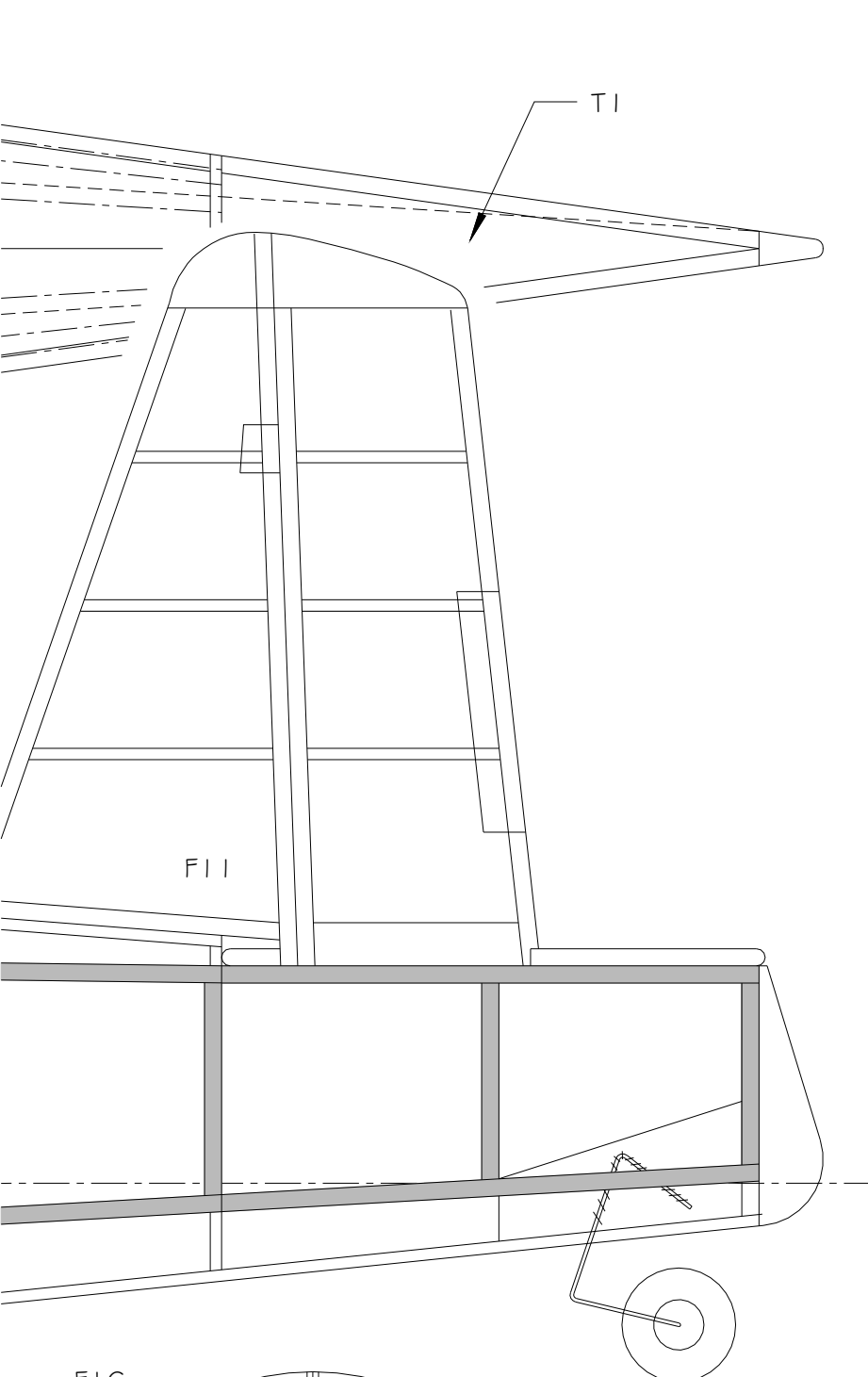


F5B
1 off 6.4mm
1 off 3.2mm

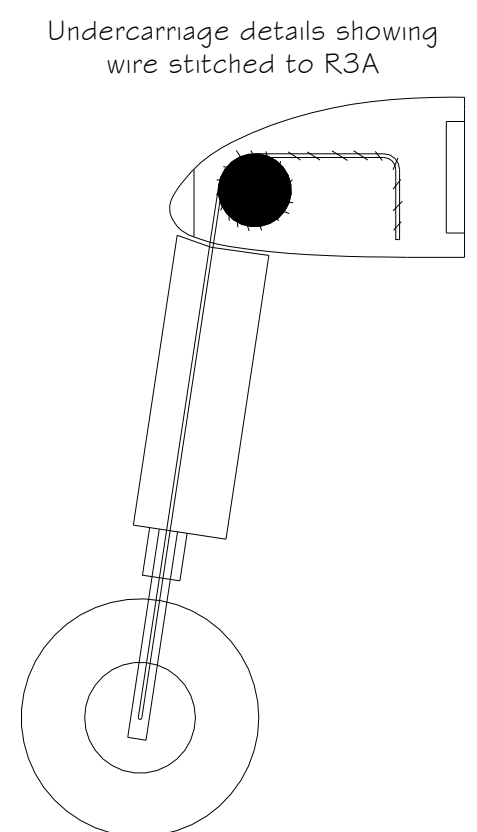


F1A & F1B
3.2mm

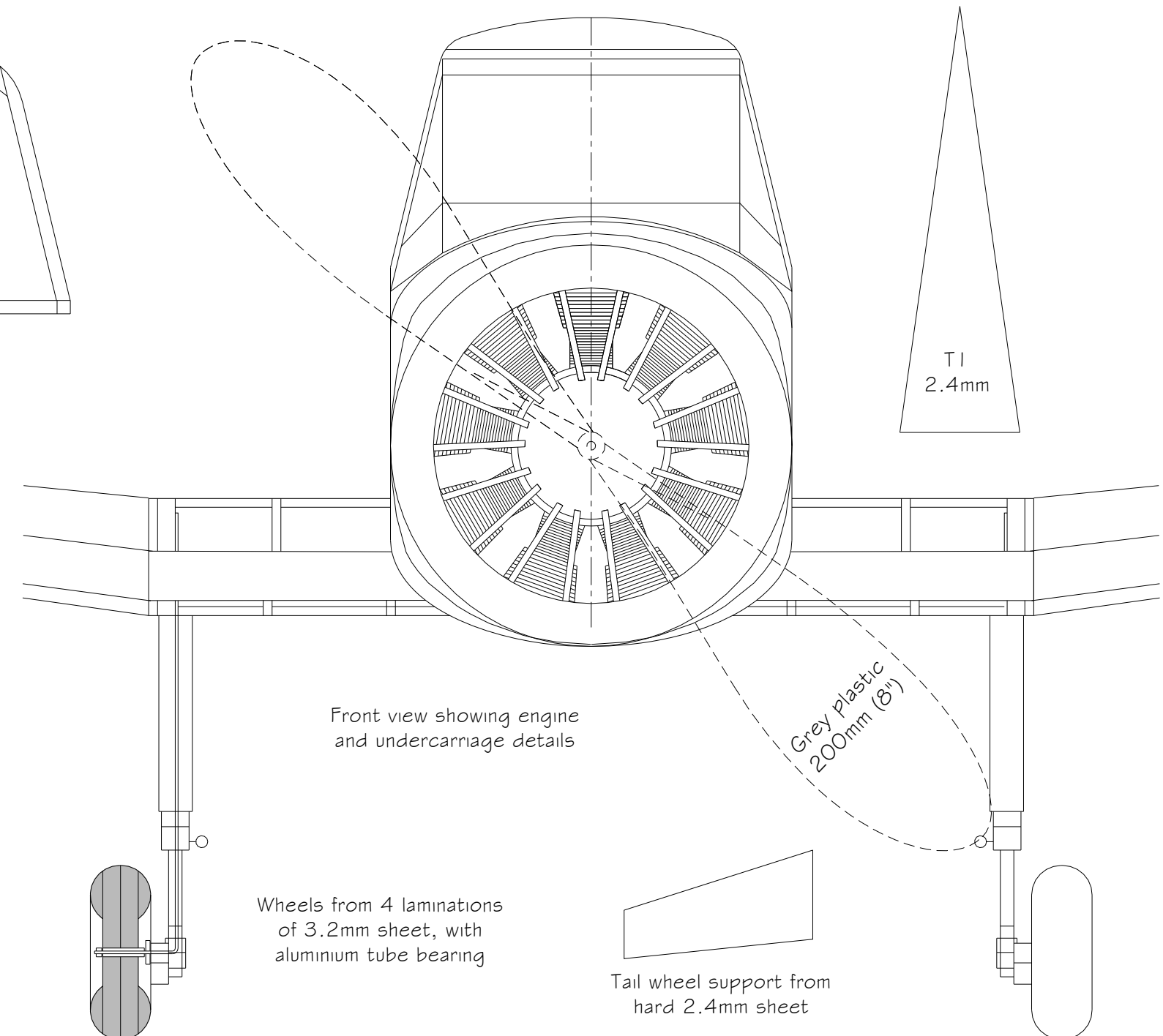
200mm (8") prop



Canopy frame at F7



Undercarriage details showing wire stitched to R3A

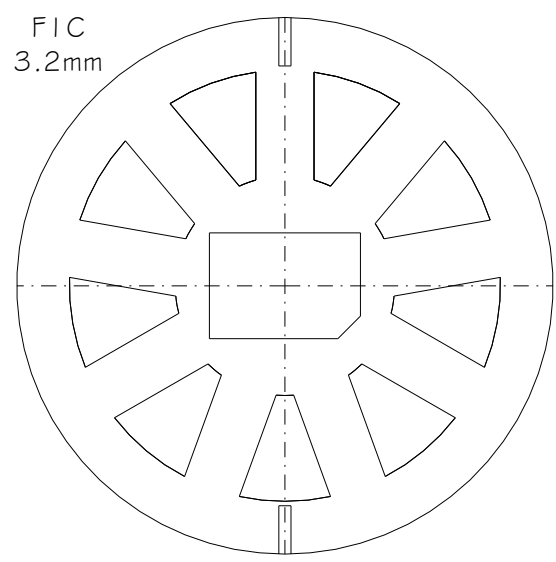


Front view showing engine and undercarriage details

Grey plastic 200mm (8")

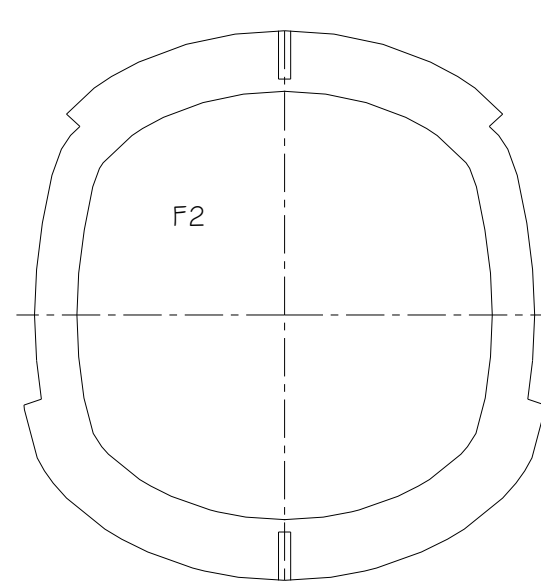
Wheels from 4 laminations of 3.2mm sheet, with aluminium tube bearing

Tail wheel support from hard 2.4mm sheet



F1C 3.2mm

Tail wheel from 4.8mm sheet with aluminium tube bearing



F2

Metric conversions:

0.8mm	1/32"
1.6mm	1/16"
2.4mm	3/32"
3.2mm	1/8"
4.8mm	3/16"
6.4mm	1/4"

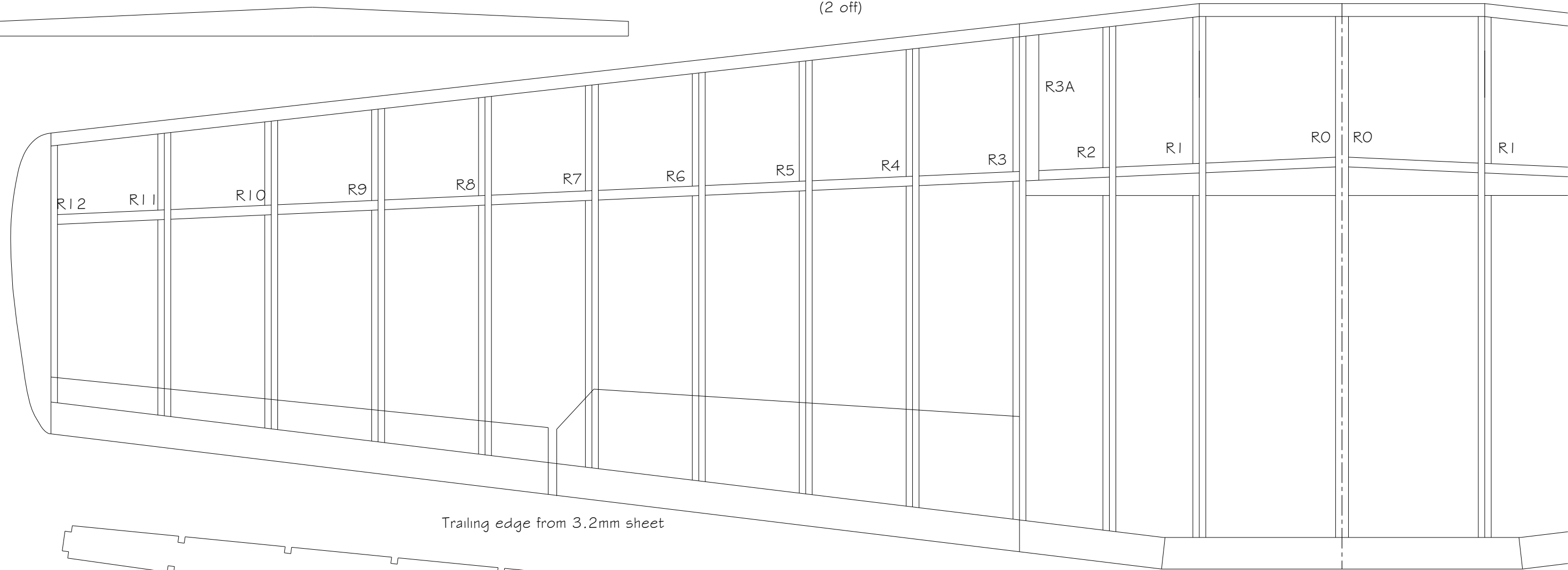
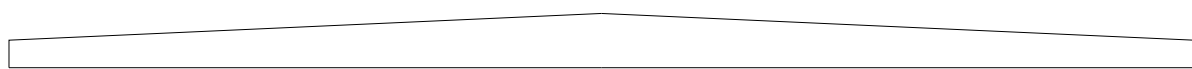
Commonwealth Aircraft Corporation CA-25 Winjeel

A rubber powered flying scale model of a 1960's Australian trainer

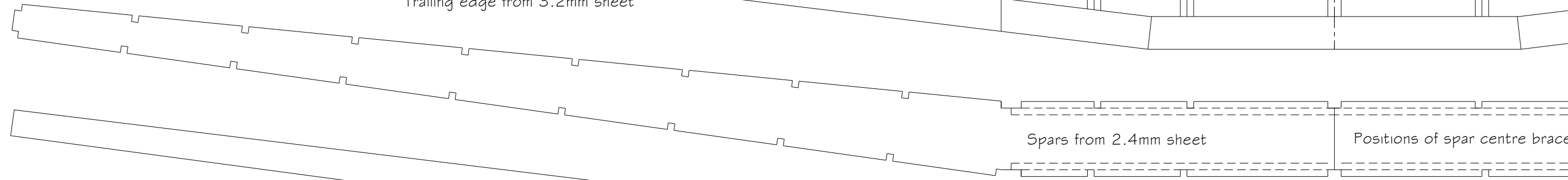
Dimensions:	Prototype:	Model:	
Span:	11.81 m	660 mm	(26.0")
Length:	8.95 m	470 mm	(18.5")
Wing area:	23.1 m ²	6.26 dm ²	(97.4 in ²)
Weight:	1,968 kg	70 g (target)	(2.5 oz)
Wing loading:	17.43 lb/ft ²	11.2 g/dm ²	(3.7 oz/ft ²)
Power:	450 hp Wasp Jr.	6 strands 3.2 x 300 mm	
Scale:		1 : 17.9	
Model designed by Derek Buckmaster July 2001			

Spar centre brace 1.6mm sheet (2 off)

Wing tip from soft 3.2mm sheet
(2 off)



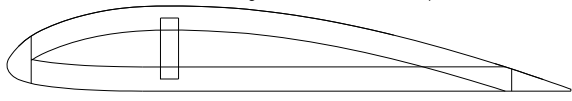
Trailing edge from 3.2mm sheet



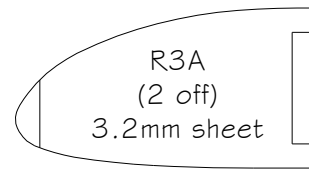
Spars from 2.4mm sheet

Positions of spar centre brace

Wing section at tip (R12)



R3A
(2 off)
3.2mm sheet

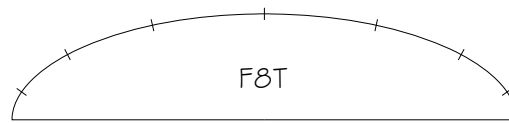


Slice ribs from 1.6mm sheet

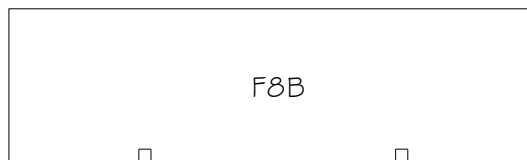
Wing section at root (R1)



F8T

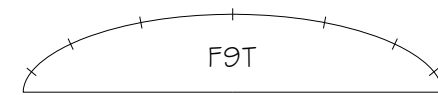


F8B

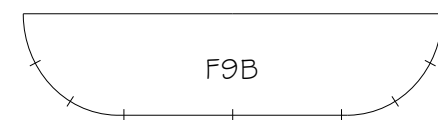


All formers from 1.6mm sheet

F9T

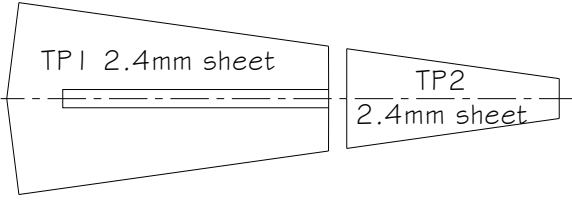


F9B



Leading edge 3.2mm sheet

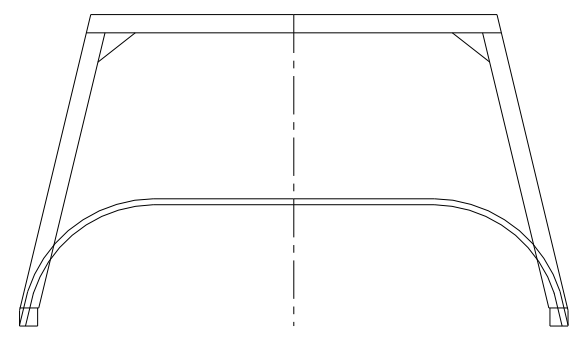
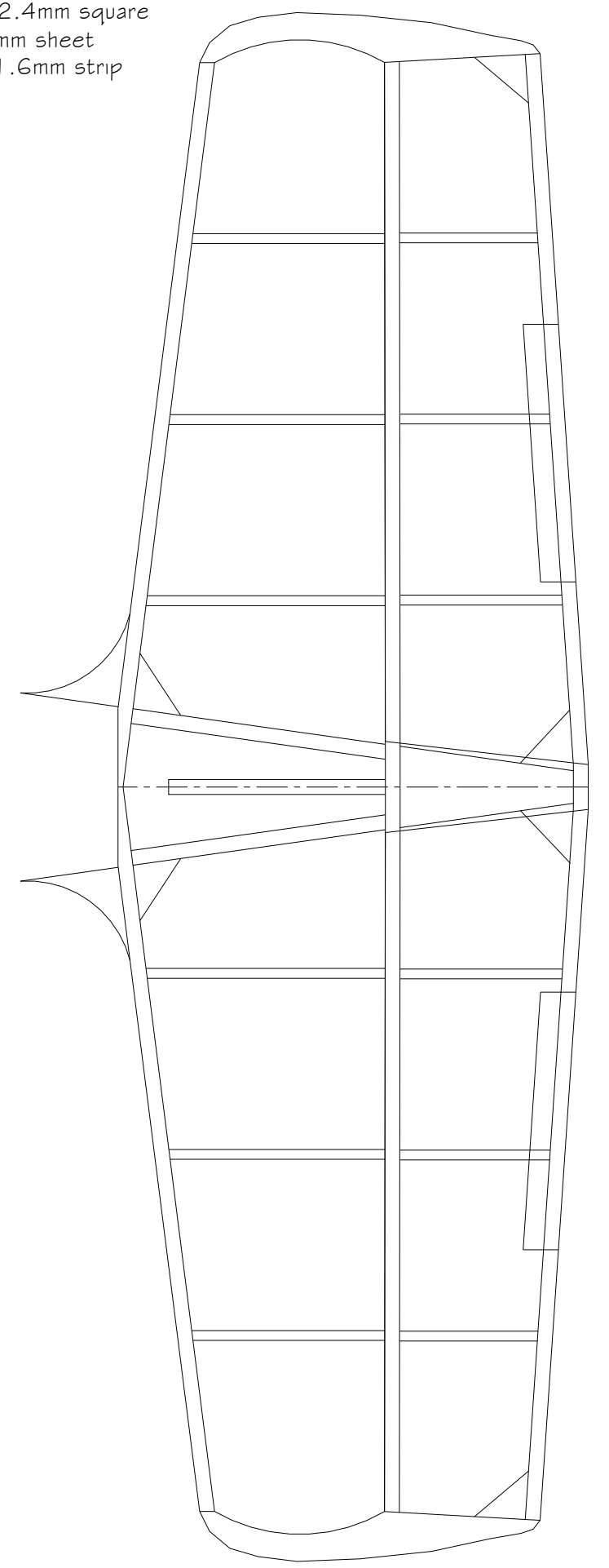
TP3 (2 off) 2.4mm sheet



Tail plane construction:
LE, TE & Spar - 2.4mm square
Tips - 2.4mm sheet
Ribs - 2.4 x 1.6mm strip



es shown dotted



Canopy frame at F6

