

Bellanca YO-50

Span: 610mm 24.0"
 Length: 369mm 14.5"
 Scale: 1: ?
 Model designed by Derek Buckmaster
 Feb 1995

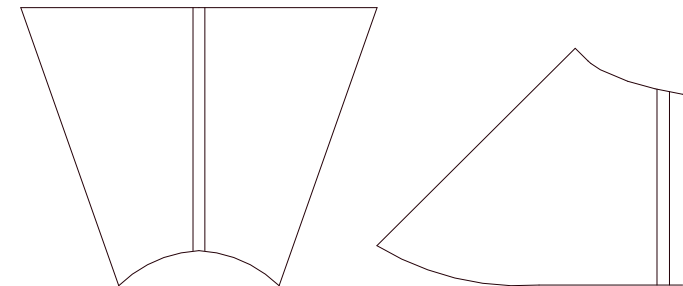


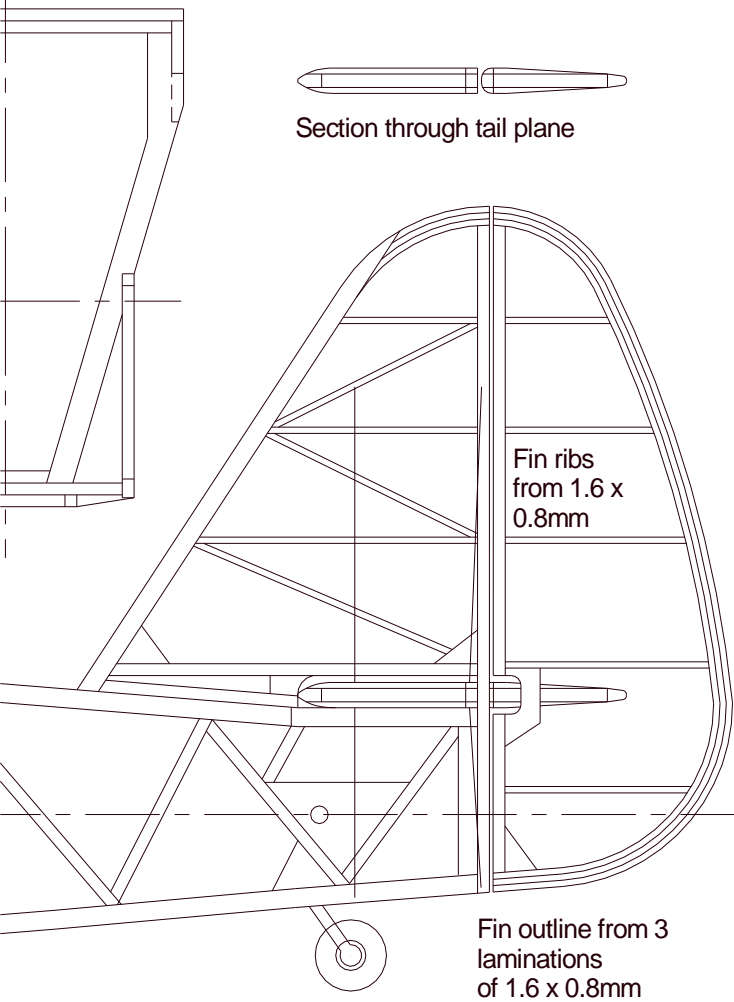
© D Buckmaster 1999
 dbdesign@crosswinds.net

Sheet 5 of 6

Fuselage upper & lower longerons 1.6 x 3.2mm

Front windscreen pattern



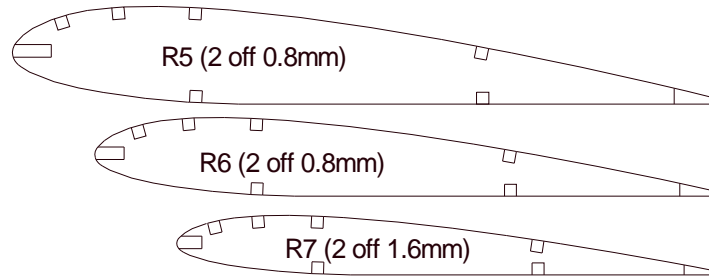
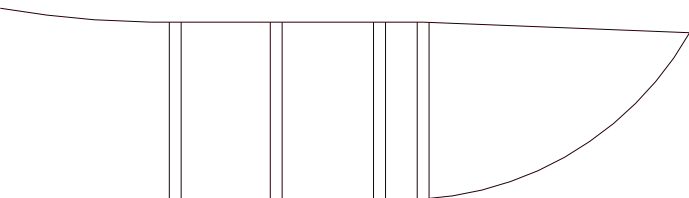


Section through tail plane

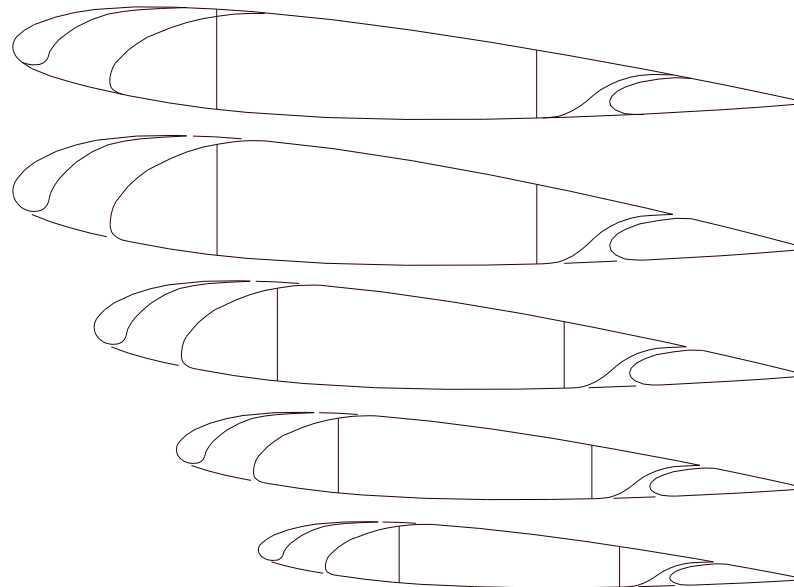
Fin ribs from 1.6 x 0.8mm

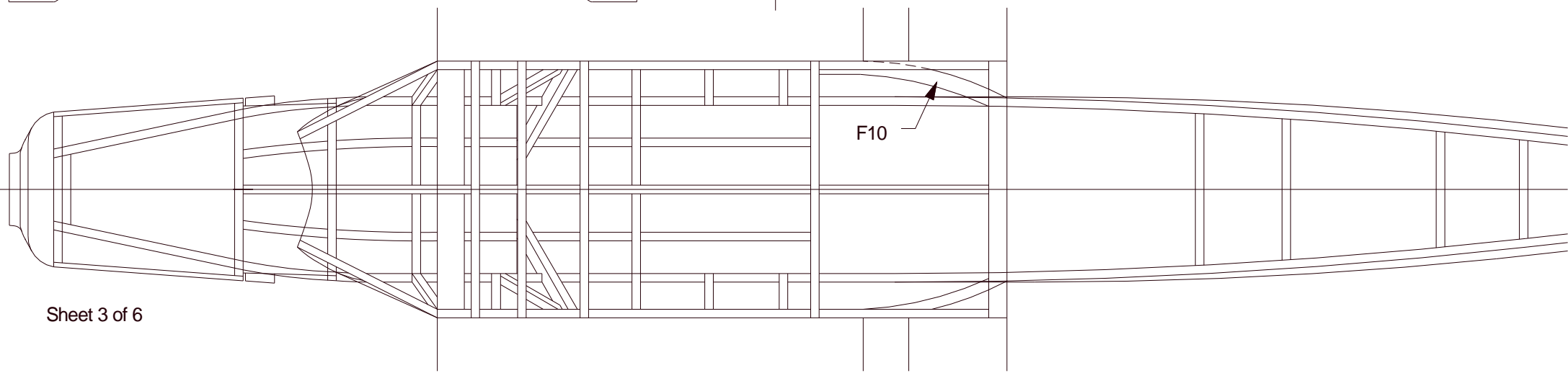
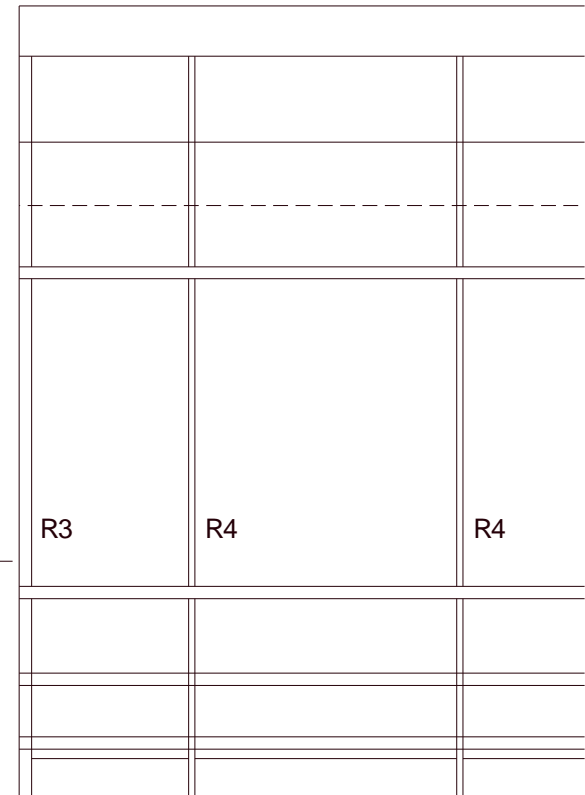
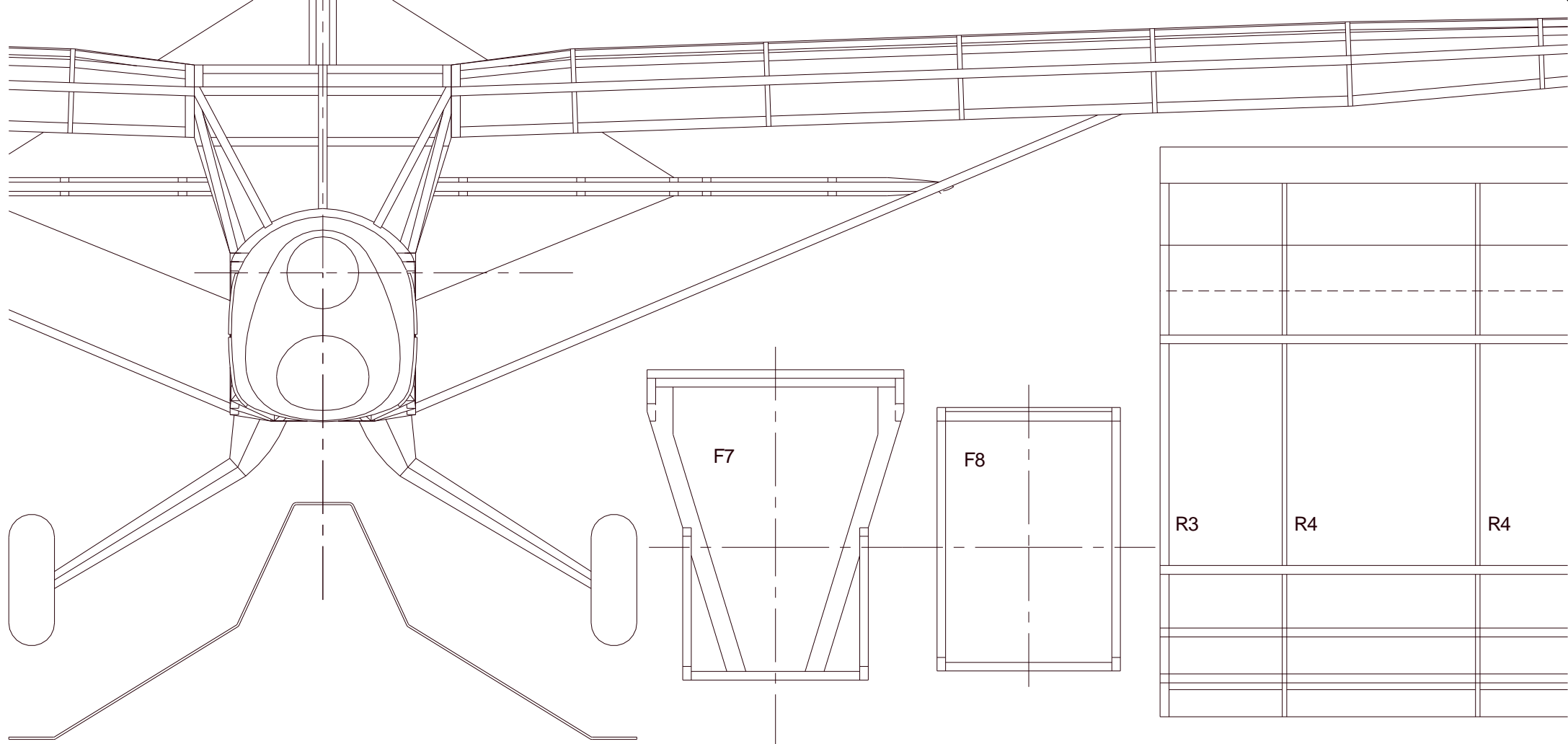
Fin outline from 3 laminations of 1.6 x 0.8mm

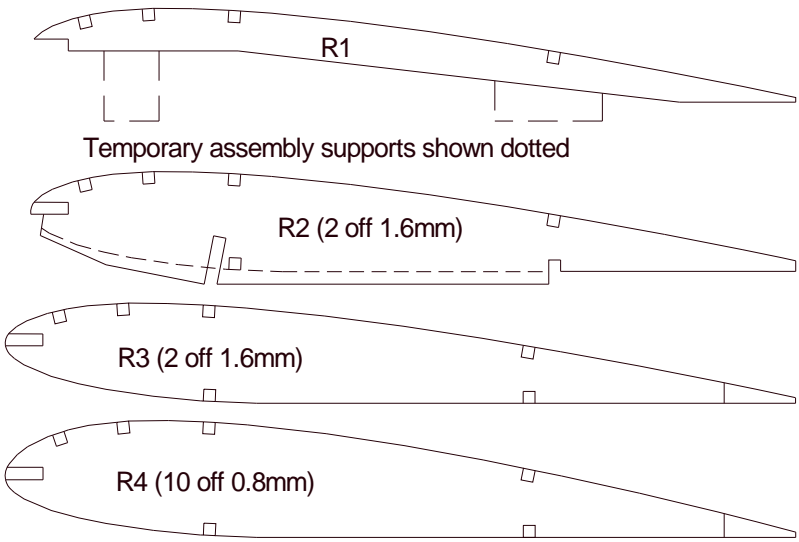
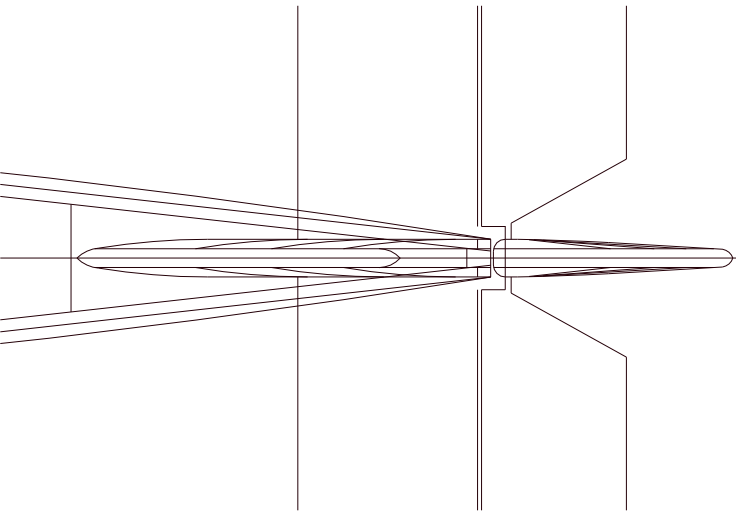
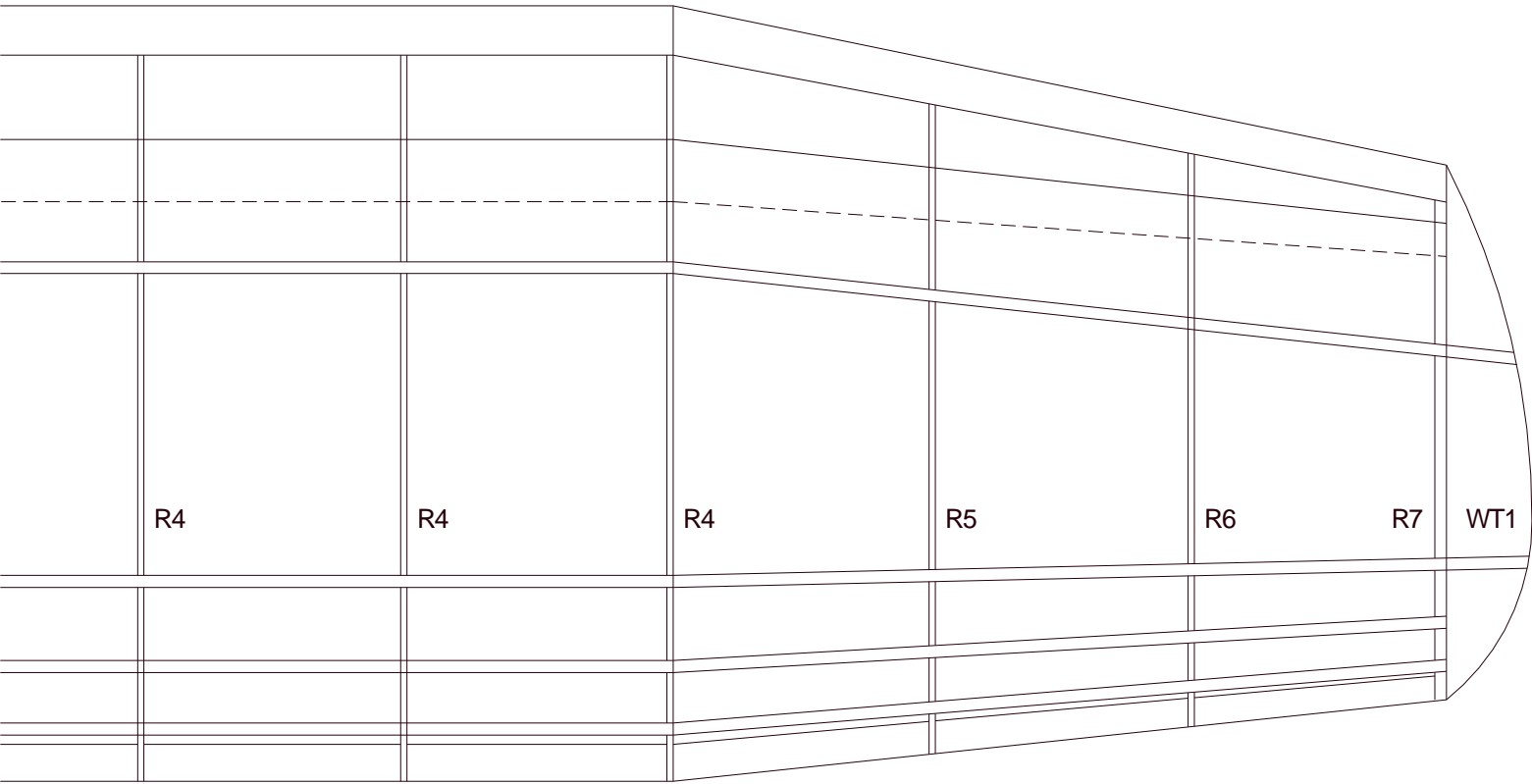
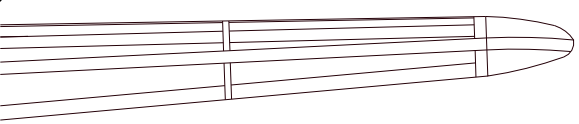
Side windscreen pattern

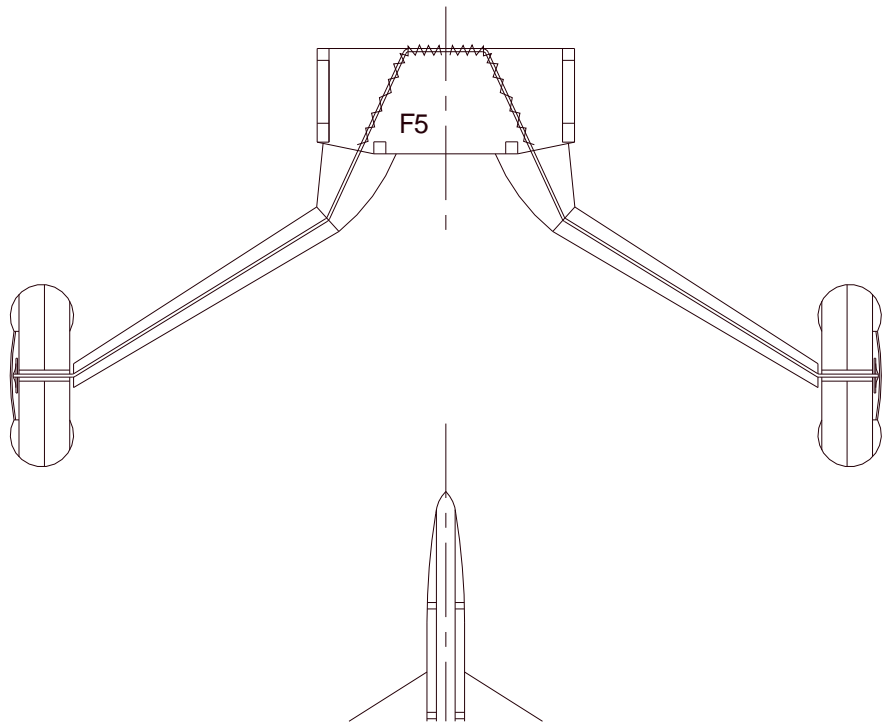


Scale airfoil sections showing fixed LE slots and flaps









R2	R1	R2

R3	R4	R4

